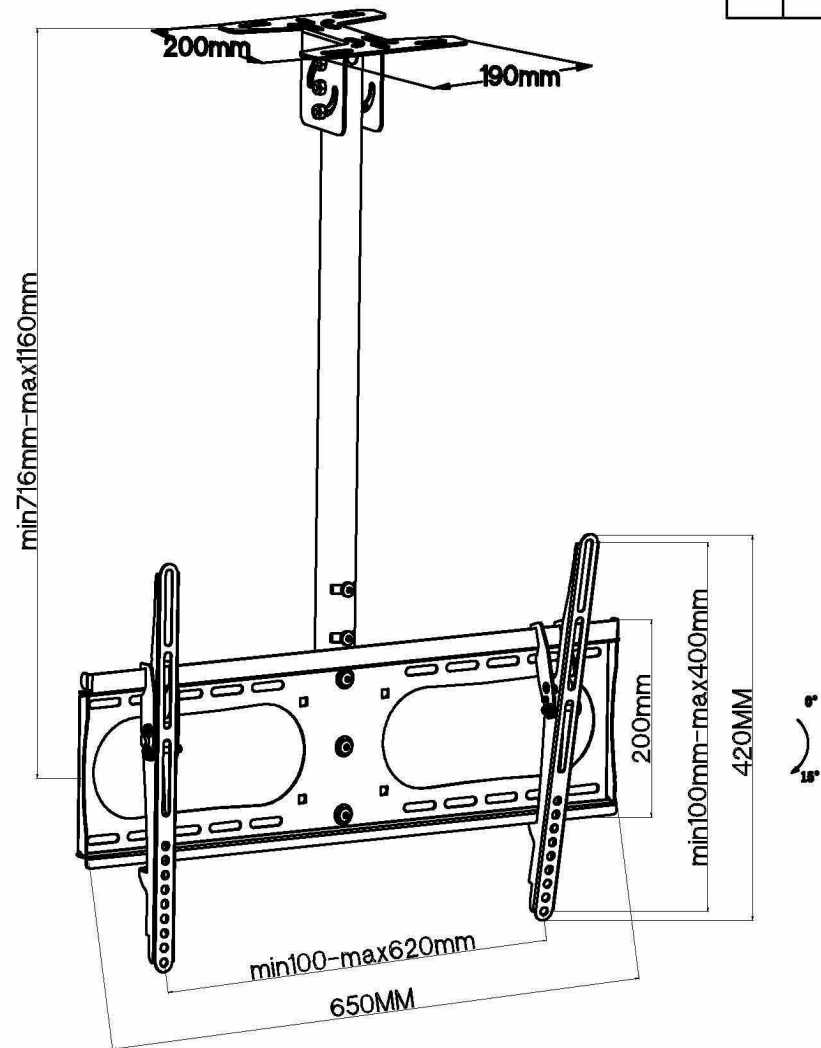


NOTE: ALL MATERIAL COMPLIANT ROHS STANDARD

REVISION INFORMATION			
Rev.	Rev. Date	Modified By	Brief Description



A _{x4} M5 x 1.5mm	B _{x4} M6 x 1.5mm	C _{x4} M6 x 1.5mm	D _{x4} M5	
E _{x4} M6	F _{x4}	G _{x4}	H _{x4}	I _{x4} M8

a _{x5} M8 x 55mm	b _{x3} M8 x 60mm	c _{x8}	d _{x3}	e _{x1}
-------------------------------------	-------------------------------------	------------------------	------------------------	------------------------

NO.	PART NAME	SPECIFICATION DESCRIPTION	QTY	UNIT
①				
②				
③				



BestLinkNetware

DRAWN BY	DATE: 2014/05/20	DESCRIPTION: XXXXXXXXXXXXXXXXXXXX
CHECKED BY	SHEET 1 of 1	ITEM NO. 502866BK
APPROVED BY	SCALE 1:1	REV. 00 UNIT: mm