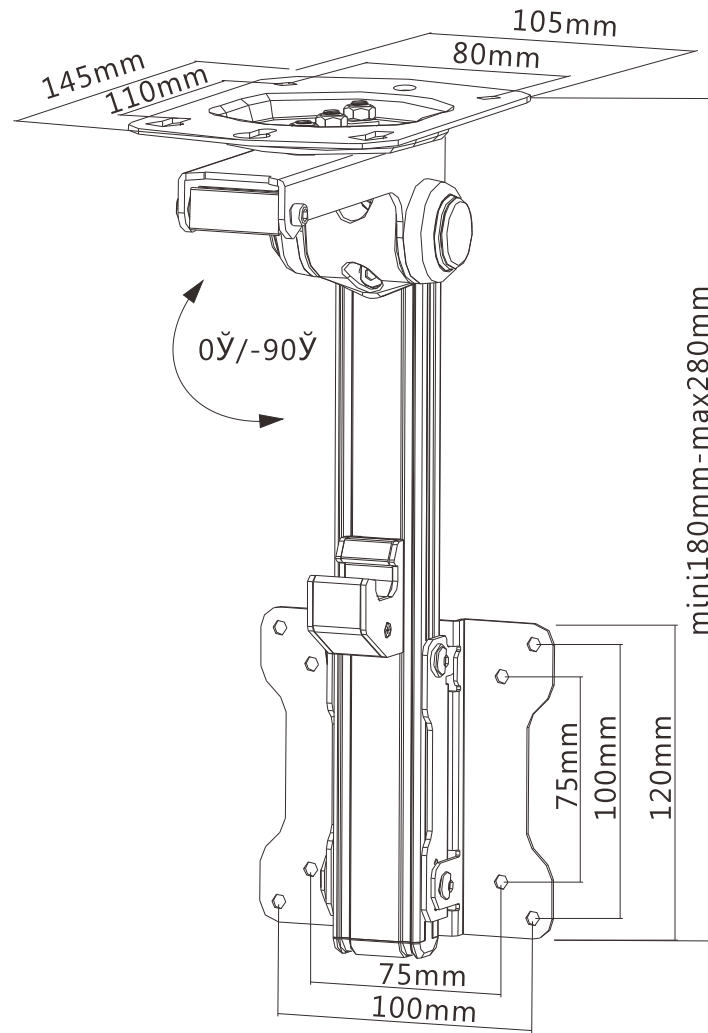
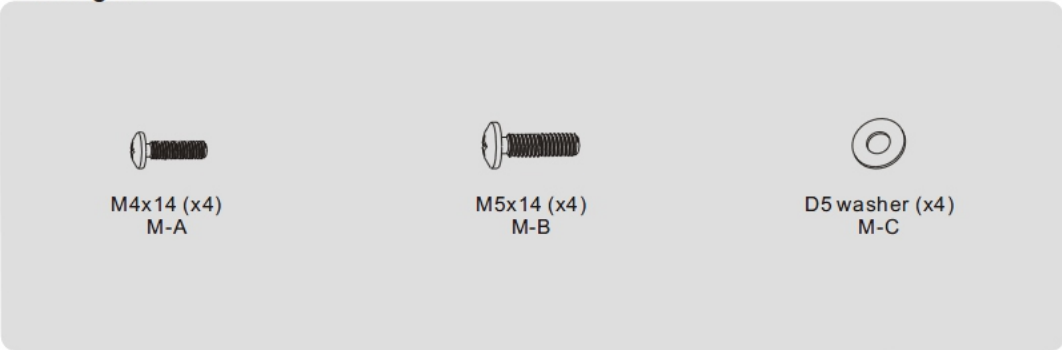


NOTE: ALL MATERIAL COMPLIANT ROHS STANDARD

REVISION INFORMATION			
Rev.	Rev. Date	Modified By	Brief Description



**Package M**

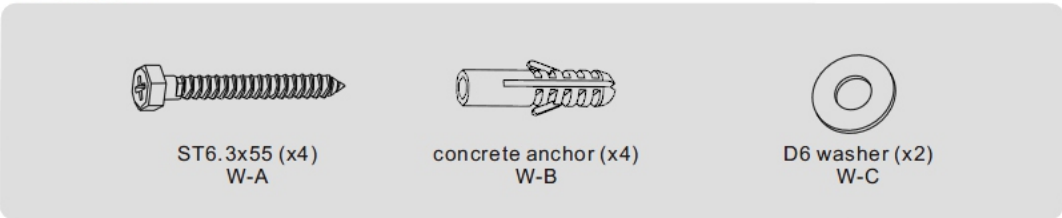


M4x14 (x4)  
M-A

M5x14 (x4)  
M-B

D5 washer (x4)  
M-C

**Package W**




ST6.3x55 (x4)  
W-A

concrete anchor (x4)  
W-B

D6 washer (x2)  
W-C

NO.	PART NAME	SPECIFICATION DESCRIPTION	QTY	UNIT
③				
②				
①				



DRAWN BY	DATE: 2015/6/4	DESCRIPTION: Aluminum Folding LCD Mounts 13-27"	
CHECKED BY	SHEET 1 of 1	ITEM NO. 502907	
APPROVED BY	SCALE 1:1	REV. 00	UNIT: mm