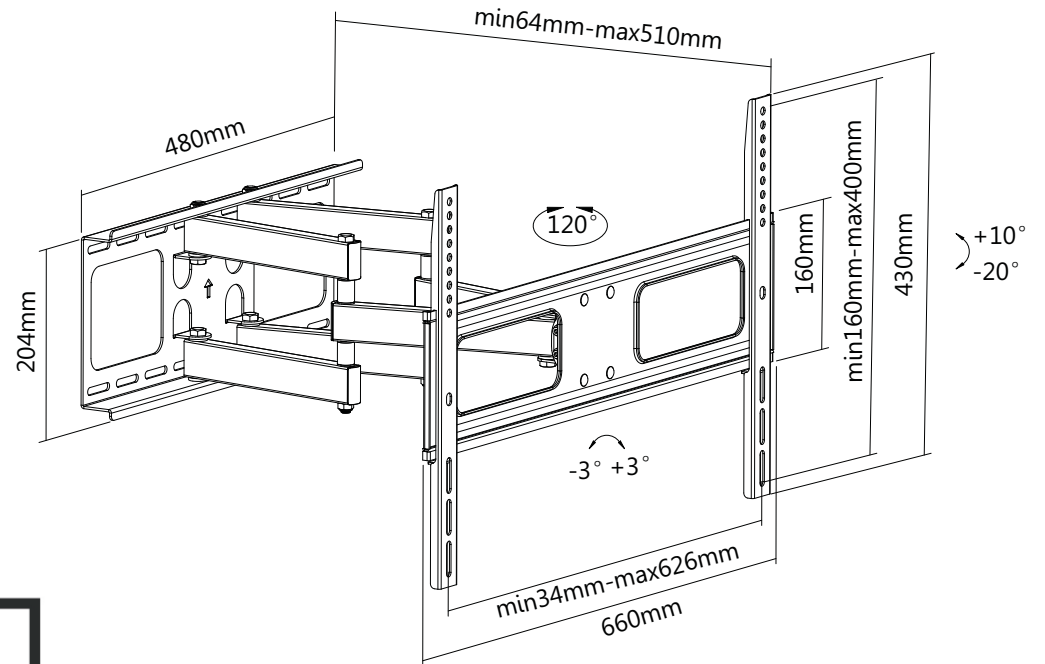


NOTE: ALL MATERIAL COMPLIANT ROHS STANDARD

REVISION INFORMATION			
Rev.	Rev. Date	Modified By	Brief Description



	M-A M-B M-C M-D
	M-E M-F(x4) M-G(x8) M-H(x4)
W-A(x6) W-B(x6) W-C(x6)	

DRAWN BY	DATE: 2016/2/19	DESCRIPTION: Full Motion LED, LCD TV Wall Mount LPA36-466
CHECKED BY	SHEET 1 of 1	ITEM NO. 502876
APPROVED BY	SCALE 1:1	REV. 00
	UNIT: mm	

NO.	PART NAME	SPECIFICATION DESCRIPTION	QTY	UNIT
③				
②				
①				