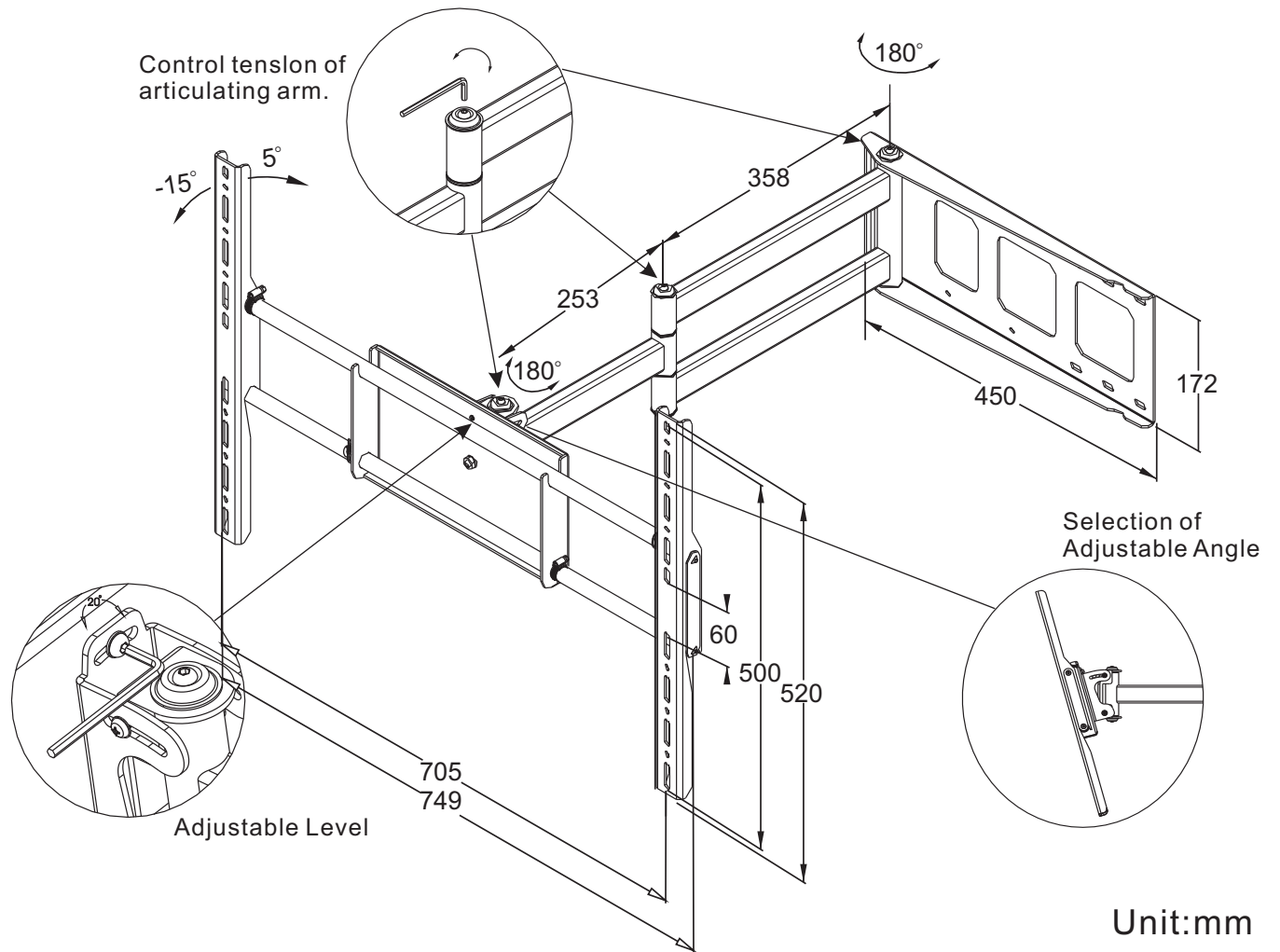


NOTE: ALL MATERIAL COMPLIANT ROHS STANDARD

REVISION INFORMATION			
Rev.	Rev. Date	Modified By	Brief Description



Package M

M4x30 (x4) M-A	M5x15 (x4) M-B	M5x30 (x4) M-C	M6x15 (x4) M-D
M6x30 (x4) M-E	M8x15 (x4) M-F	M8x40 (x4) M-G	D4 washer (x4) M-H
D8 washer (x4) M-I	ø14xø6x10 (x8) M-J	ø20xø8x10 (x8) M-K	4mm allen key (x1) M-M

Package W

ST 8x90 (x7) W-A	concrete anchor (x7) W-B
---------------------	-----------------------------

Unit:mm

DRAWN BY	DATE: 2011/12/31	DESCRIPTION: Flat TV Mount 32"~50" Tilt/Swivel, PLB-WA8 Black	
CHECKED BY	SHEET 1 of 1	ITEM NO. 502617	
APPROVED BY	SCALE 1:1	REV. 00	UNIT: mm

NO.	PART NAME	SPECIFICATION DESCRIPTION	QTY	UNIT
③				
②				
①				