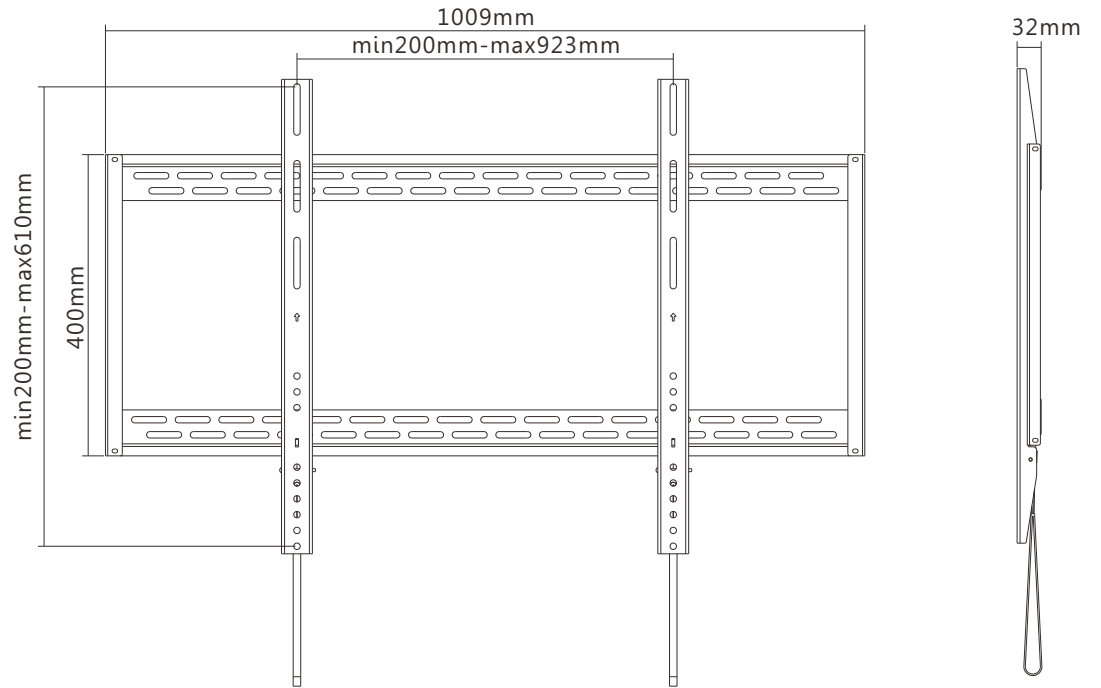
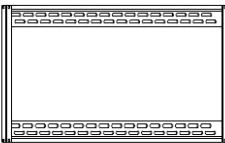













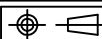


NOTE: ALL MATERIAL COMPLIANT ROHS STANDARD

REVISION INFORMATION			
Rev.	Rev. Date	Modified By	Brief Description



 <p>A(x1)</p>	 <p>B(x2)</p>	 <p>M5x14 (x4) M-A</p>	 <p>M6x14 (x4) M-B</p>	 <p>M8x20 (x4) M-C</p>	 <p>M6x30 (x4) M-D</p>
		 <p>M8x30 (x4) M-E</p>	 <p>M-F (X4)</p>	 <p>M-G(x8)</p>	 <p>M-H(x4)</p>
		 <p>W-A(x6)</p>	 <p>W-B(x6)</p>	 <p>W-C(x6)</p>	

			
DRAWN BY	DATE: 2015/6/4	DESCRIPTION: Flat TV Mount60~100" Fixed LP37-69F	
CHECKED BY	SHEET 1 of 1	ITEM NO. 502863	
APPROVED BY	SCALE 1:1	REV. 00	UNIT: mm 

NO.	PART NAME	SPECIFICATION DESCRIPTION	QTY	UNIT
③				
②				
①				