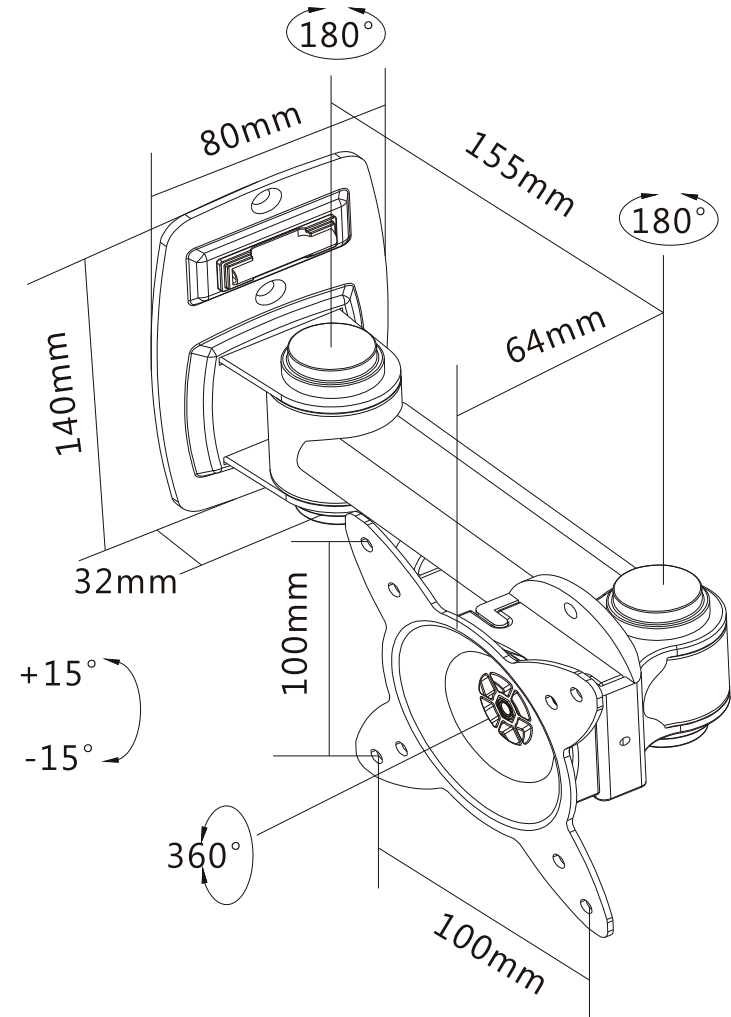
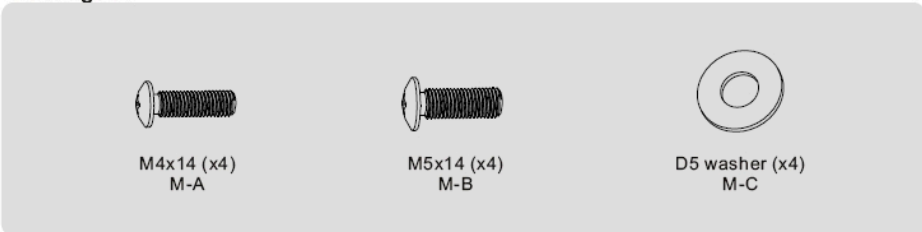


NOTE: ALL MATERIAL COMPLIANT ROHS STANDARD

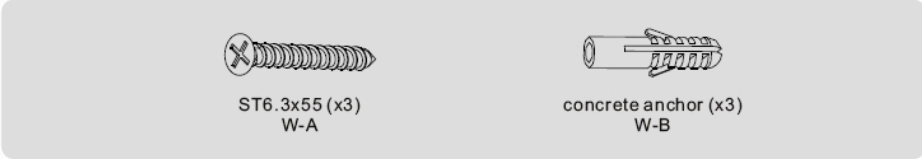
REVISION INFORMATION			
Rev.	Rev. Date	Modified By	Brief Description



**Package M**



**Package W**



NO.	PART NAME	SPECIFICATION DESCRIPTION	QTY	UNIT
③				
②				
①				

DRAWN BY	DATE: 2015/6/4	DESCRIPTION: Flat TV Mount 10"-23" Tilt/Swivel Lockable LCD-152 Black	
CHECKED BY	SHEET 1 of 1	ITEM NO. 502650BK	
APPROVED BY	SCALE 1:1	REV. 00	UNIT: mm