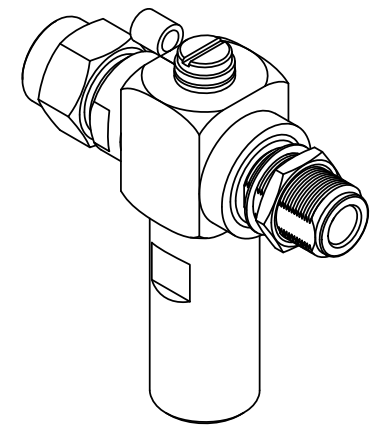
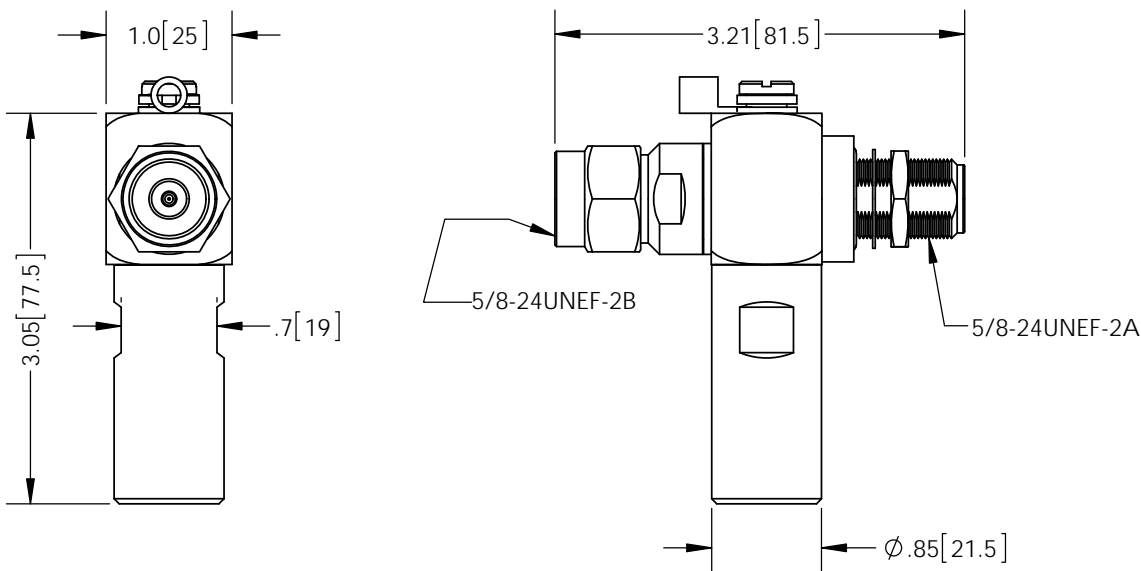


THE INFORMATION CONTAINED IN THIS DRAWING IS THE SOLE PROPERTY OF L-COM, INC. ANY REPRODUCTION IN PART OR WHOLE WITHOUT THE WRITTEN PERMISSION OF L-COM, INC. IS PROHIBITED.

REVISIONS			
REV	DESCRIPTION	DATE	APPROVED
A	INITIAL RELEASE	10/28/15	D.GRIFFIN

DESCRIPTION	MATERIAL	FINISH
BODY	BRASS	CuSnZn3
INNER CONDUCTOR FEMALE	PHOSPHOR BRONZE	SILVER
INNER CONDUCTOR MALE	BRASS	SILVER
COUPLING NUT	BRASS	CuSnZn3
INSULATOR	PTFE	---
O-RING	SILICONE RUBBER	---



**NOTES:**  
**ELECTRICAL:**  
 IMPEDANCE: 50 OHM  
 FREQUENCY RANGE: 800 ~ 2,250 MHz  
 VSWR: ≤ 1.2  
 PASSIVE INTERMODULATION(PIM): ≤ -150dBc  
 DIELECTRIC WITHSTANDING VOLTAGE: 2500V(RMS)  
 INSULATION RESISTANCE: ≥ 5000M OHM  
 CONTACT RESISTANCE:  
     CENTER CONTACT: ≤ 1.0m OHM  
     OUTER CONTACT: ≤ 1.0m OHM  
 INSERTION LOSS: ≤ 0.2dB

**MECHANICAL:**  
 DURABILITY: ≥ 500  
 TEMPERATURE RANGE: -40°C TO +85°C

**PACKAGING:**  
 COMPONENT SHALL BE INDIVIDUALLY PACKAGED IN ACCORDANCE WITH L-COM SPECIFICATION PKG-00012

**REGULATORY COMPLIANCE:**  
 CE2011/65/EU(RoHS DIRECTIVE)

UNLESS OTHERWISE SPECIFIED, DIMENSIONS ARE IN INCHES [mm]  DIMENSIONAL TOLERANCES: .X = ±.1 [2.54] .XX = ±.01 [.25] .XXX = ±.005 [.13]  ANGULAR TOLERANCES: ALL = ± 1°	APPROVALS	DATE		45 BEECHWOOD DRIVE NORTH ANDOVER, MA 01845		
	DRAWN BY B.PUCHASKI	09/30/15				
	CHECKED BY K.BURGNER APPROVED BY P.PESA	09/30/15	09/30/15	CATEGORY <b>LIGHTNING PROTECTOR</b>		
CONFIGURATION DETAILS OF UNDIMENSIONED FEATURES MAY VARY  COLOR VARIATIONS MAY OCCUR	PRODUCT DESCRIPTION <b>N-MALE TO N-FEMALE BULKHEAD          PIM RATED LIGHTNING PROTECTOR</b>		SIZE <b>A</b>	FSCM NO. <b>43321</b>	DWG. NO. <b>ALOP-NMNFB</b>	REV. <b>A</b>
PROJECTION 	SCALE: NONE		CAD FILE: ALOP-NMNFB.SLDDRW		SHEET 1 OF 1	