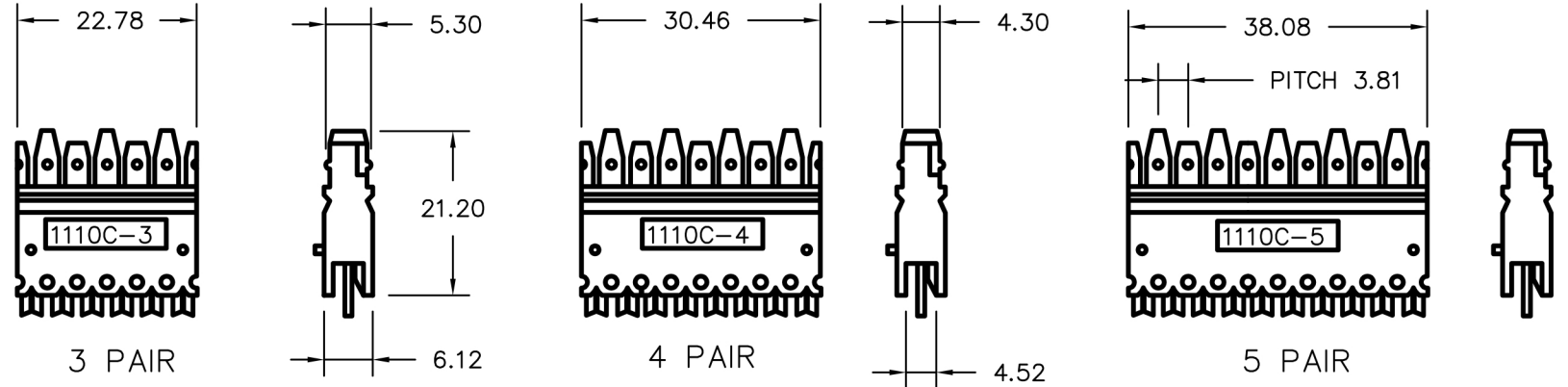


ZONE	REV	DESCRIPTION	DATE	APPV.
-	A	INITIAL RELEASE	12/05/00	E.A.

NOTES:



ITEM	QTY	DESCRIPTION
1	1	6P TERMINAL HOUSING
2	6	1.D.C. TERMINAL
3	1	6P TERMINAL INSERT

ITEM	QTY	DESCRIPTION
1	1	8P TERMINAL HOUSING
2	8	1.D.C. TERMINAL
3	1	8P TERMINAL INSERT

ITEM	QTY	DESCRIPTION
1	1	10P TERMINAL HOUSING
2	10	1.D.C. TERMINAL
3	1	10P TERMINAL INSERT

TOLS. .X=+/- 0.030, .XX=+/- 0.010, .XXX=+/- .005, ANGLES=+/-0.5 DEG.			
NEXT ASSY: -	DRAWN: E.A. 12/05/00	CHECKED: Joe Tornello	
TITLE: I.D.C. Connecting Blocks		DWG. NO. 110C-3/4/5	SHEET 1 OF 1 REV. A