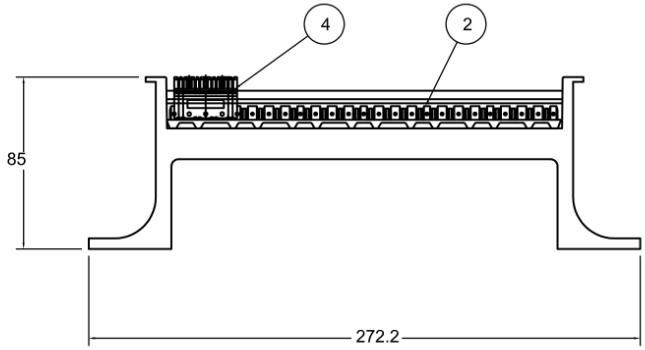
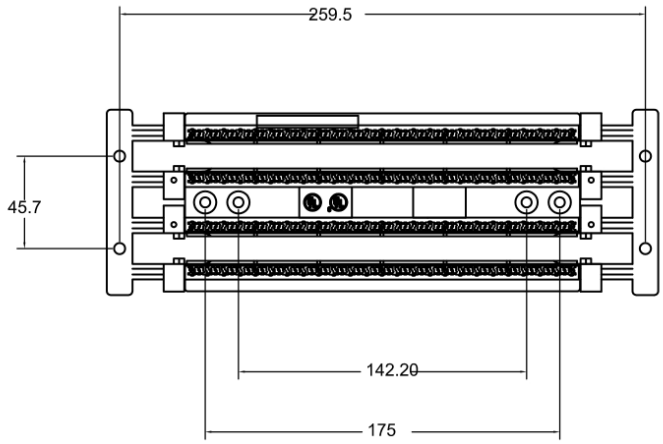
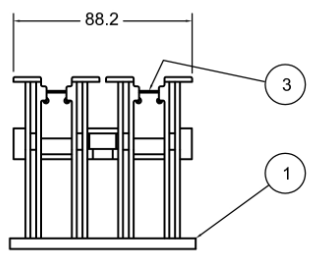


ZONE	REF	DESCRIPTION	DATE	APPV.
-	A	INITIAL RELEASE	07/16/07	E.A.

NOTES:  
 1. MATERIAL: P.C.  
 2. PART TO BE FREE OF BURRS, SUCKS & SCRATCHES.  
 3. DRAFT ANGLE: 1°MAX.  
 4. ALL UNSPECIFIED CORNER, EDGE, OR FILLET BREAKS ARE TO BE 0.50mm MAXIMUM.

ITEM	DESCRIPTION	QTY	P/N
1	96 PR BASE WITH LEG	1	LP1340
2	24 PR INSERT	4	LP1019
3	INDEX HOLDER	4	110PH
4	110-CAT6 CONNECTING CLIP	48	610C-4



TOLS: -			
NEXT ASSY: -		DRAWN:	
TITLE: 96 Pair Cat6 Wiring Block w/Legs		CHECKED: DWG. NO. 610AWB-96	
		REV. A	

1

2

3

4