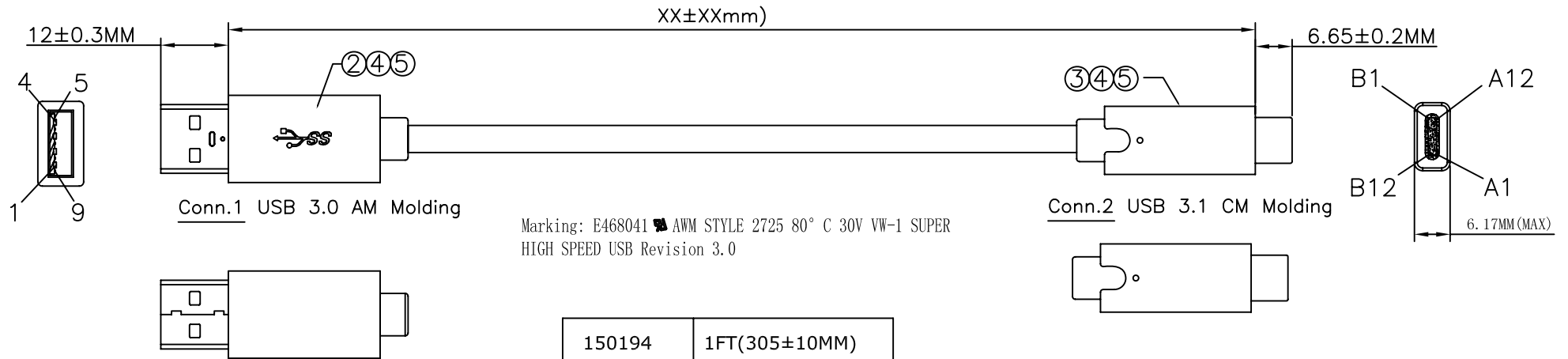


NOTE: ALL MATERIAL COMPLIANT ROHS STANDARD

REVISION INFORMATION			
Rev.	Rev. Date	Modified By	Brief Description

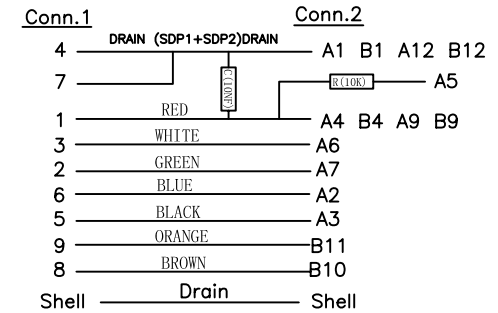


150194	1FT(305±10MM)
150195	3FT(915±15MM)
150196	6FT(1830±30MM)

Electrical Test:

1. 100%Test(Open, short ,miss wire)
2. Contact Resistance: 2 ohm max.
3. Insulation Resistance: 5M ohm min.
4. Hi-pot:300V DC/10ms

Pin Assignment



5	45P PVC BLACK	1	PCS
4	PE	1	PCS
3	USB3.1 (C) M Solder Type Shell Nickel, ecru Insulation	1	PCS
2	USB3.0 (A) M Solder Type Shell Nickel Blue Insulation	1	PCS
1	USB3. 0 (32# (7/0. 08T) *1P+D(7/0. 08T) +AL+MY) *2P+32# (7/0. 08T) *1P+24# (7/0. 2T) *2C+F+AD(7/0. 127B) B(16/5/0. 12AL) OD:4. 2MM Black PVC	XX	m
NO	DESCRIPTION	Q'TY	UNIT

Unless specified on the drawing, tolerances are per the follows:
 . +1
 .x +0.2
 .xx +0.05

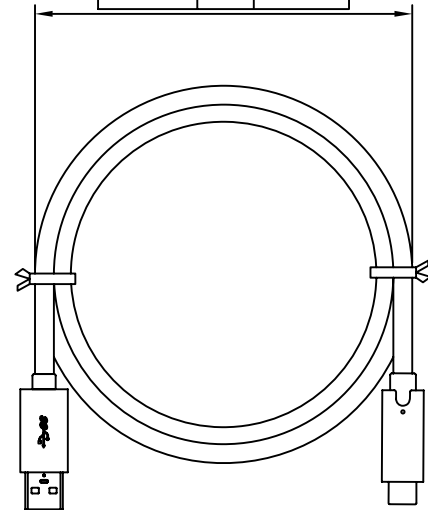


DRAWN BY	DATE: 2017.5.28	DESCRIPTION: USB 3.0 AM TO Type C Male
CHECKED BY	SHEET 1 of 2	ITEM NO. 1501XX
APPROVED BY	SCALE 1:1	REV. 00 UNIT:mm

NOTE:ALL MATERIAL COMPLIANT ROHS STANDARD

REVISION INFORMATION			
Rev.	Rev. Date	Modified By	Brief Description

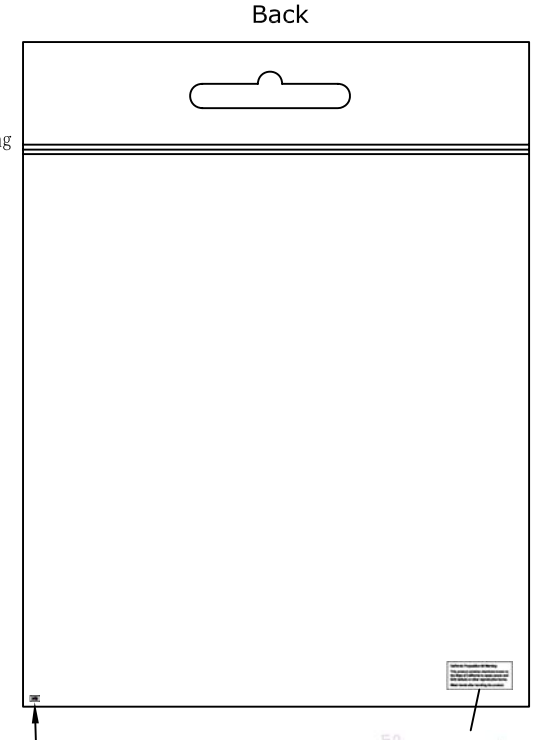
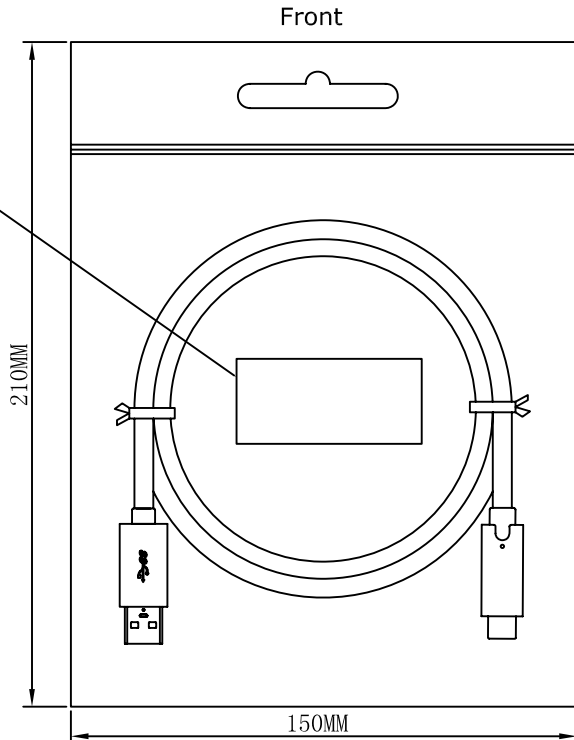
150194	1FT	50±10MM
150195	3FT	80±10MM
150196	6FT	130±10MM



1Ft USB Type C Male to USB3.0 (G1) A-Male Cable

3Ft USB Type C Male to USB3.0 (G1) A-Male Cable


6Ft USB Type C Male to USB3.0 (G1) A-Male Cable

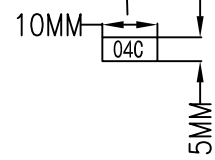
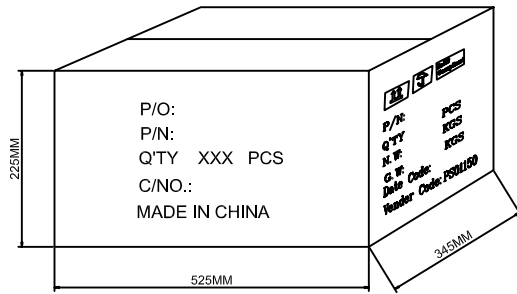


Main Mark:

P/O:
P/N:XXXXX
Q'TY PCS
C/NO.:
MADE IN CHINA

SIDE MARK:


 P/N:
Q'TY XXX PCS
N.W: XXX KGS
G.W: XXX KGS
Date Code:
Vender Code:PS01150



California Proposition 65 Warning:
This product contains chemicals known to the State of California to cause cancer and birth defects or other reproductive harms.
Wash hands after handling the product.

Carton Size: L20.67"*W13.58"*H8.86"
Carton Weight: 1.54LBS

ITEM NO	size	PCS/box	N.W	G.W
150194	1FT	120PCS/box	2.8KG	3.5KG
150195	3FT	100PCS/box	3.8KG	4.5KG
150196	6FT	80PCS/box	4.7KG	5.4KG

Unless specified on the drawing, tolerances are per the follows:
 . +1
 .x +0.2
 .xx +0.05



DRAWN BY	DATE: 2017.5.28	DESCRIPTION: USB 3.0 AM TO Type C Male
CHECKED BY	SHEET 1 of 2	ITEM NO. 1501XX
APPROVED BY	SCALE 1:1	REV. 00 UNIT:mm