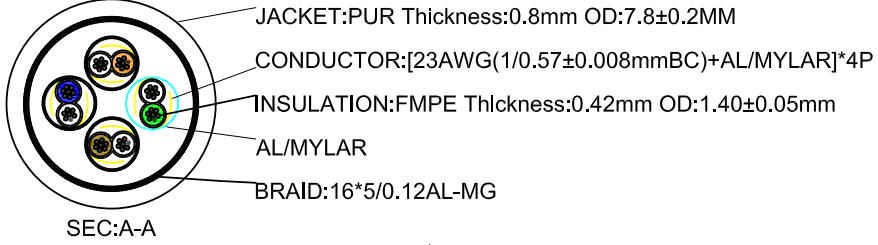
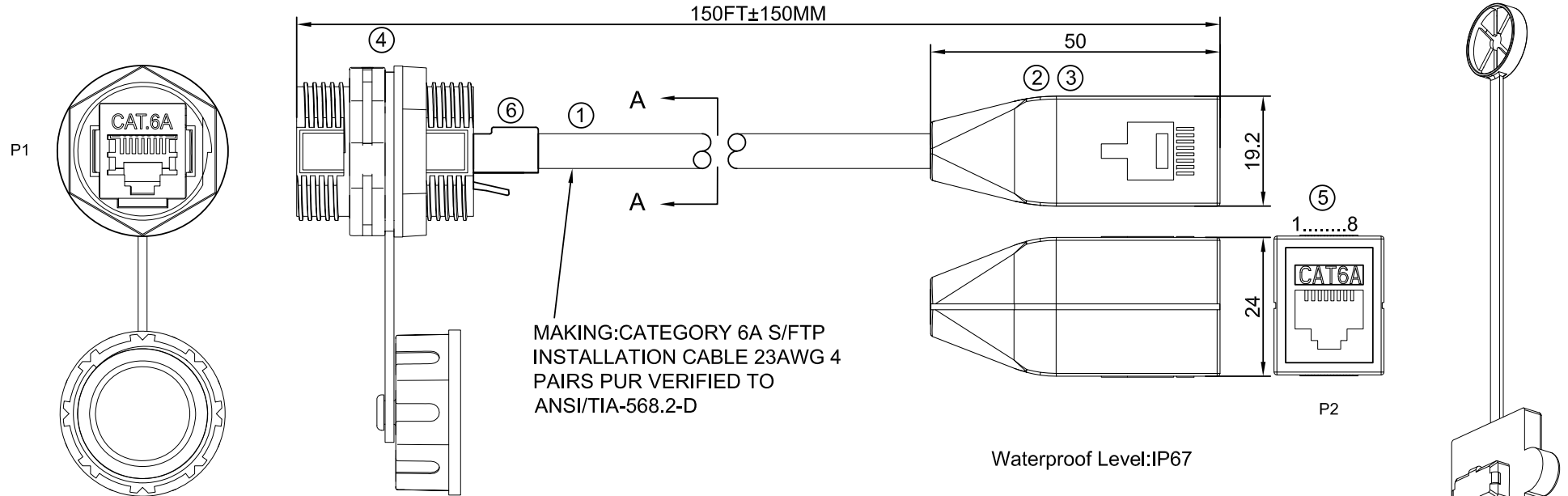


NOTE: ALL MATERIAL COMPLIANT ROHS STANDARD

REVISION INFORMATION			
Rec.	Rec. Date	Modified By	Brief Description



orange 1 white/orange	green 2 white/orange
blue 3 white/blue	brown 4 white/brown

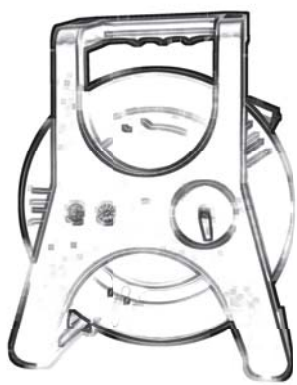
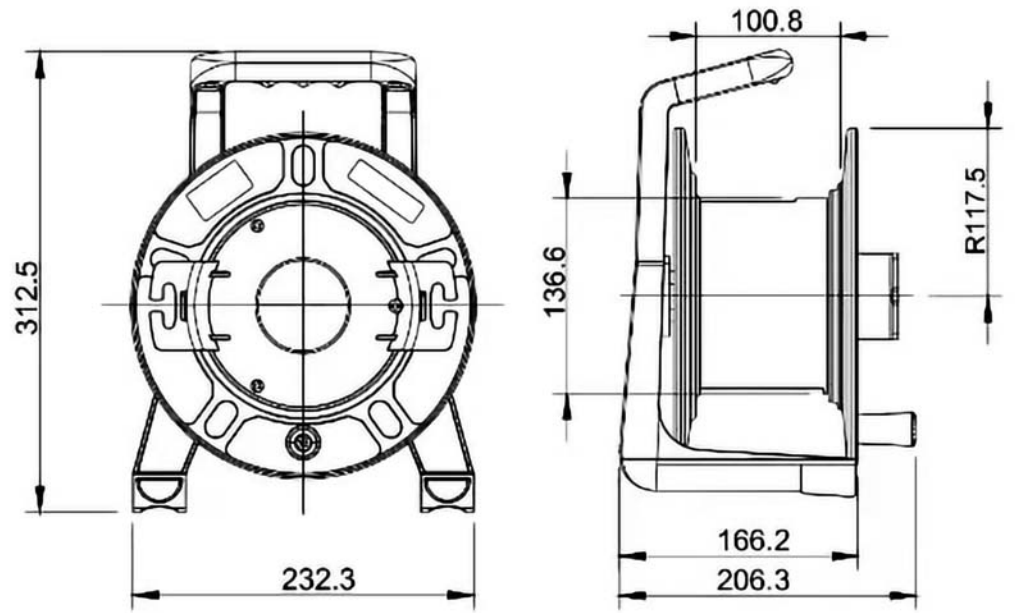
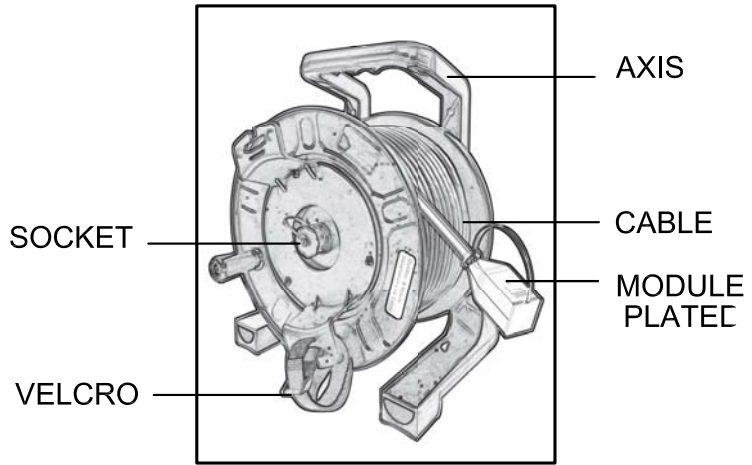
PINOUT		
P1	WIRE	P2
1	WHITE/ORANGE	1
2	ORANGE	2
3	WHITE/GREEN	3
6	GREEN	6
5	WHITE/BLUE	5
4	BLUE	4
7	WHITE/BROWN	7
8	BROWN	8

6	RJ45 PLUG	8P8C 50U" GOLD PLATED TWO-PIECE PLUG; SHIELDED NICKEL PLATING.		
5	RJ45 FEMALE	8P8C 50U" MOLDED GOLD PLATED FEMALE SHIELDED NICKEL PLATING WITH DUST COVER.		
4	RJ45 FEMALE	8P8C 50U' GOLD PLATED FEMALE NICKEL PLATED SHIELDED.		
3	INNER MODEL	LD-PE TRANSPARENT MOLDED BOOT.		
2	MOLDED	PVC MOLDED BOOT		
1	CABLE	CAT6A S/FTP 4P/23AWG(1/0.57±0.008MM BC) OD=7.8±0.20mm		
NO.	PART NAME	SPECIFICATION DESCRIPTION	QTY	UNIT

DRAWN BY FW	DATE: 2022/05/09	DESCRIPTION: 150Ft Cat6A S/FTP Indoor/Outdoor Mobile Extension Reel
CHECKED BY ACE	SHEET 1 of 4	ITEM NO.
APPROVED BY	SCALE 1:1	REC. 00 UNIT: mm

NOTE: ALL MATERIAL COMPLIANT ROHS STANDARD

REVISION INFORMATION			
Rec.	Rec. Date	Modified By	Brief Description

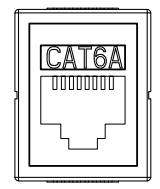
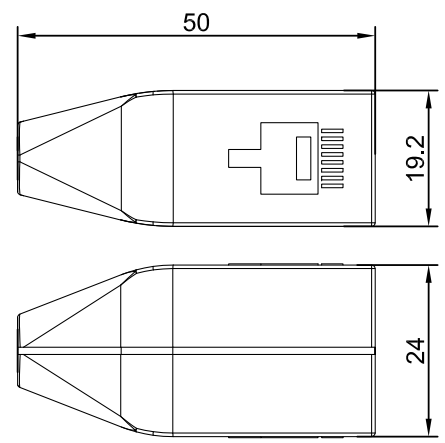
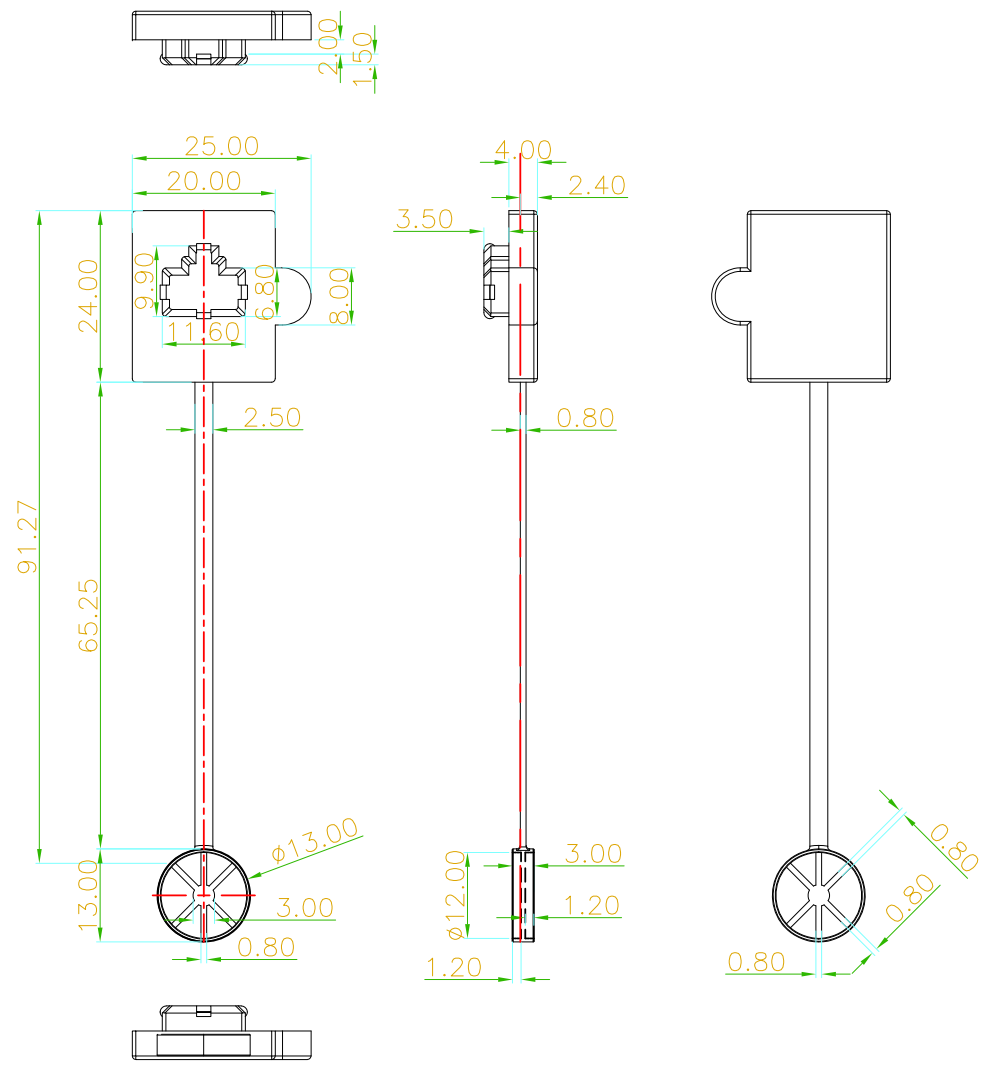


BESTLINK
NETWORKARE

DRAWN BY FW	DATE: 2022/05/09	DESCRIPTION: 150Ft Cat6A S/FTP Indoor/Outdoor Mobile Extension Reel
CHECKED BY ACE	SHEET 2 of 4	ITEM NO.
APPROVED BY	SCALE 1:1	REC. 00 UNIT: mm

NOTE: ALL MATERIAL COMPLIANT ROHS STANDARD

REVISION INFORMATION			
Rec.	Rec. Date	Modified By	Brief Description

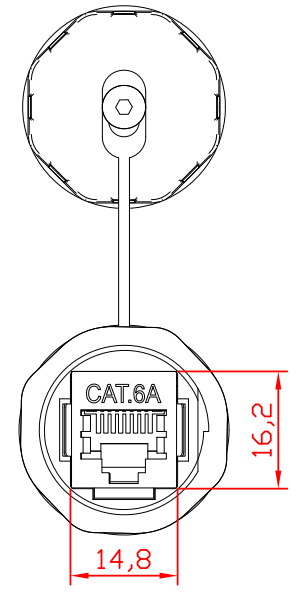
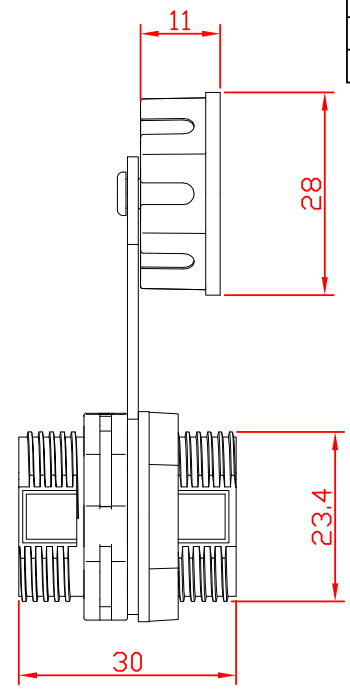
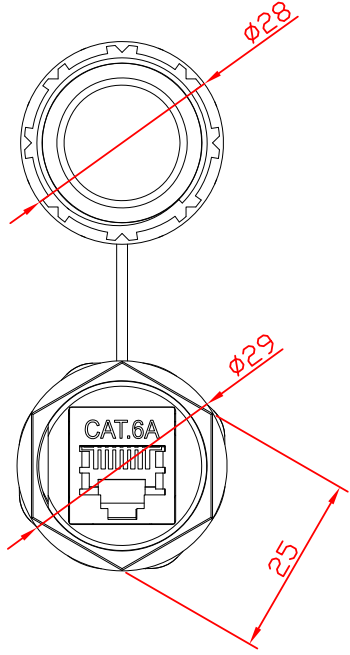
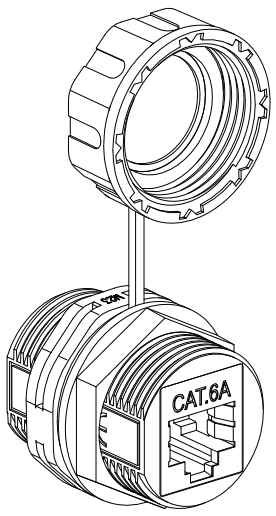


DRAWN BY FW	DATE: 2022/05/09	DESCRIPTION: 150Ft Cat6A S/FTP Indoor/Outdoor Mobile Extension Reel
CHECKED BY ACE	SHEET 3 of 5	ITEM NO.
APPROVED BY	SCALE 1:1	REC. 00

UNIT: mm

NOTE: ALL MATERIAL COMPLIANT ROHS STANDARD

REVISION INFORMATION			
Rec.	Rec. Date	Modified By	Brief Description



NOTES:

ELECTRICAL:

1. VOLTAGE RATING:125 VAC RMS
2. CURRENT RATING:1.5AMP
3. CONTACT RESISTANCE:100MILLIOHMS MAX
4. INSULATION RESISTANCE:1000 MEGOHMS MIN @500 VDC
5. DIELECTRIC STRENGTH:750 VAC RMS 60Hz, 1MIN

ENVIRONMENTAL:

1. STORAGE:-40° TO +85°
2. OPERATION:0° TO 70°

MECHANICAL:

1. HOUSING MATERIAL:PA66
2. INSERT MATERIAL:FAME RETARDANCY PBT
3. PCB MATERIAL:FR-4 T=1.6mm
4. RJ45 JACK CONTACT: PHOSPHOR BRONZE WITH NICKEL PATING GOLD PLATED (50U)
5. RJ45 JACK LIFE:750 TIMES MIN
6. Waterproof grade:IP68

DRAWN BY FW	DATE: 2022/05/09	DESCRIPTION: 150Ft Cat6A S/FTP Indoor/Outdoor Mobile Extension Reel
CHECKED BY ACE	SHEET 4 of 5	ITEM NO.
APPROVED BY	SCALE 1:1	REC. 00 UNIT: mm