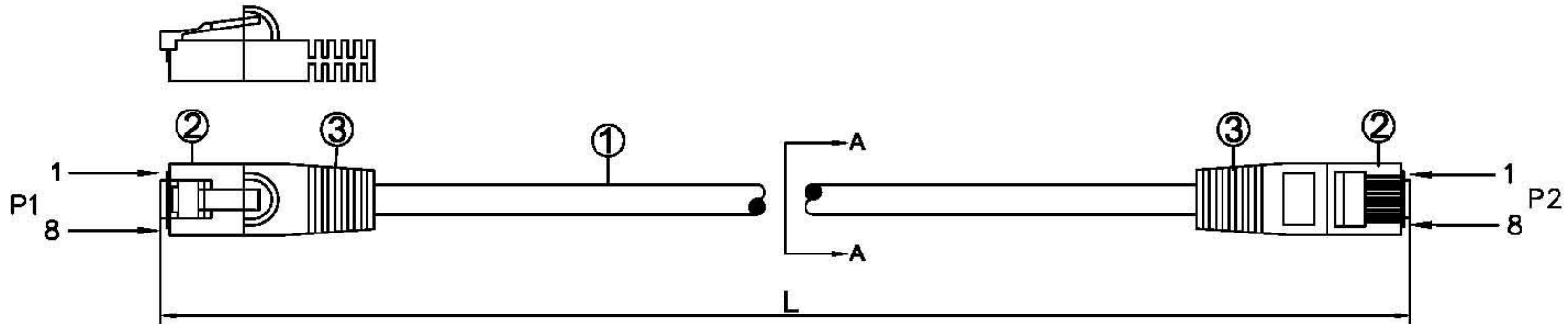


NOTE: ALL MATERIAL COMPLIANT ROHS STANDARD

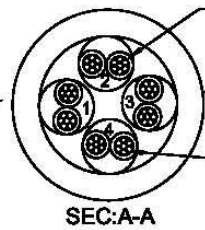
REVISION INFORMATION

Rev.	Rev. Date	Modified By	Brief Description
A/0	2015.05.11	LM	NEW



INK MARKING: YFC CAT.6 UTP ISO/IEC 11801 & EN 50288 & ANSI/TIA-568-C.2 ETL/3P VERIFIED ▲ 24AWGX4P PATCH TYPE
CMX(UL) c(UL) CMH E164469-XX

Jacket Color
BK012
BU608
GN509
GY177
OR307
RD220
PU720
RD210
WH928
YE406



INSULATION: HDPE Thickness: 0.2±0.05MM
OD=0.9±0.05mm
JACKET: PVC Thickness: 0.6±0.1MM
OD=5.3±0.2mm
CONDUCTOR: [24AWG(7/0.175±0.008mm) BC]X4P

orange 1 white/orange	green 2 white/green
blue 3 white/blue	brown 4 white/brown

PINOUT		
P1	WIRE	P2
1	WHITE/ORANGE	1
2	ORANGE	2
3	WHITE/GREEN	3
6	GREEN	6
5	WHITE/BLUE	5
4	BLUE	4
7	WHITE/BROWN	7
8	BROWN	8

L(ft)	T(inch)	T(%)	L(ft)	T(inch)	T(%)
0.5	±0.6	10%	15	±3.15	1.75%
1	±1.2	10%	20	±4	1.67%
1.5	±1.2	6.67%	25	±4	1.33%
2	±1.2	5%	30	±6	1.67%
3	±1.2	3.33%	35	±6	1.43%
4	±1.2	2.5%	40	±6	1.25%
5	±1.2	2%	50	±6	1.0%
6	±1.2	1.67%	75	±6	0.67%
7	±2	2.38%	100	±6	0.5%
8	±2	2.08%	125	±6	0.4%
9	±2	1.85%	150	±6	0.33%
10	±2	1.67%	175	±6	0.29%
12	±2	1.39%	200	±6	0.25%

2	PVC YU-19	PLUG	3
2	8P8C 50U RJ45	PLUG	2
1	CAT.6 UTP PVC 24AWG*4P BC	CABLE	1
QTY	SPECIFICATION	ITEM	NO.

DRAWN BY LM	DATE: 2015/06/11	DESCRIPTION: LAN PATCH C6 UTP 24AWG 4P
CHECKED BY JZY	SHEET 1c/1	ITEM NO. 10071XX 10072XX 10073XX 10074XX 10075XX
APPROVED BY LANDER	SCALE 1:1	REV. 00 UNIT:mm