

INNOTEST

Model No. 258012
user manual



Hobbes®
INNOVATION

INNOTEST module design cable tester	03
Product description	04
Accessories	06
Battery installation	07
Features	08
Specification	09
Key definition	10
Operation instruction	10
Warranty	18

INNOTEST module design cable tester

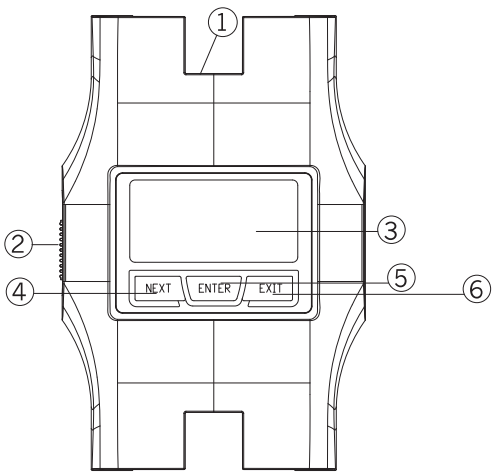
The INNOTEST is the newest innovation in testing equipment for today's market. It is the first module design in its class of economical testers.

The INNOTEST is designed with modules that are exchangeable to suit the type of connector needed.

The INNOTEST will test a cables continuity to identify open wires, shorted wires, cross wires, miss-wires and the resulting pin-to-pin configuration of your cable. INNOTEST has a complete line of modules that can be purchased separately to test the most common cables use today but also expandable to future cables in the market.

Product description

Main unit



1. Module groove

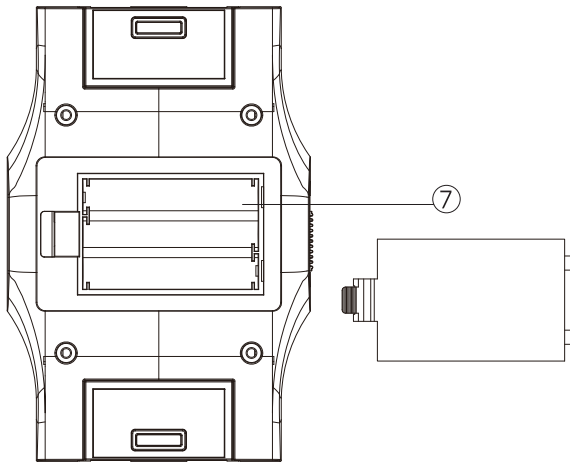
4. NEXT button

2. Power switch

5. ENTER button

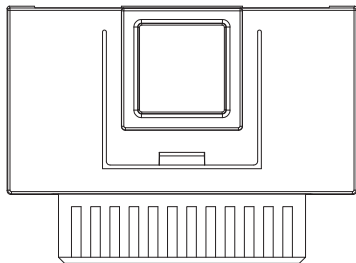
3. LCD display

6. EXIT button

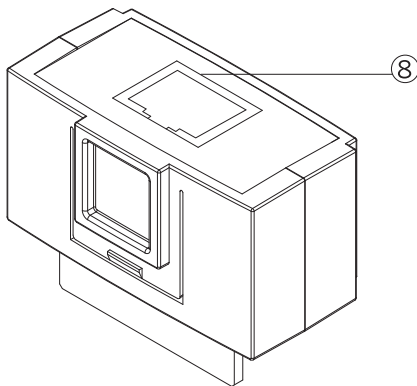


7. Battery compartment

Module



8. Module connector



Accessories

1. Protective tester case with foam inside



2. User manual



Features

- Exchangeable module design
- Auto pin numbers detected and connector identify
- Identify open wires, shorted wires, cross wires, and mis-wires connectivity
- Displays Pin-to-Pin Configuration
- Alphanumeric LCD display
- Support 32 types of connectors
- Additional INNOTEST connectors will be available in the future

Specification

Available Connectors	USB 2.0A, USB 2.0B, USB 2.0 Micro-AB, USB 2.0 Mini-AB, USB 3.0A, USB 3.0B, USB 3.0 Power B, USB 3.0 Micro-AB, RJ-45, RJ-11, F Connector, BNC Connector, SATA, eSATA, e-SATAp (Power eSATA), HDMI, Mini HDMI, Micro HDMI, HDB15/F, HDB15/M, DisplayPort, Mini DisplayPort, Stereo type, RCA, 1394a (6pin), 1394a (4pin)
Control switch	NEXT, ENTER, EXIT
Display	LCD size, 4 rows-16 characters
Power source	AAA battery x 3 (1.5V)
Power consumption	Operating current is 3.5mA when buzzer is off and 15mA when buzzer is on.

Key definition

Marking	Name	Function
NEXT	Next button	View the next test result or go to next menu
ENTER	Enter button	Execute the function after selection
EXIT	Exit button	Go back to previous menu

Operation instruction

1. Insert Modules on both side of the main unit. Hobbes logo on modules should be on back side of device. Connect two ends of the cable to be tested to both modules and make sure cable connectors are on the right direction.
2. Turn on your device by switching the power on/off button on the left side of the device.

3. LCD display definition

A. The module connector's pin number

B. Battery status

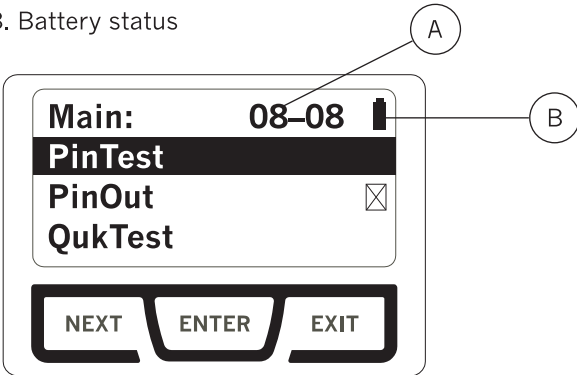


figure 1

4. PinTest

- A. PinTest is the main test function of INNOTEST. Press ENTER for the INNOTEST PinTest function to detect pin-to-pin connectivity. Please refer below figure 2

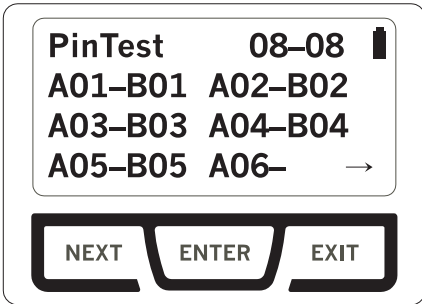


figure 2

- An arrow icon on the bottom right of the LCD is to view/go the next page

- B. Press NEXT to view the test result or press NEXT again to go back to the previous test result page.

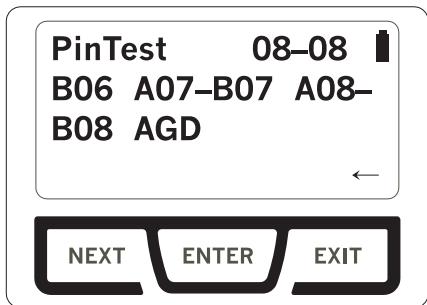


figure 3

- A. Result explanation
a. Pass (refer figure 4)

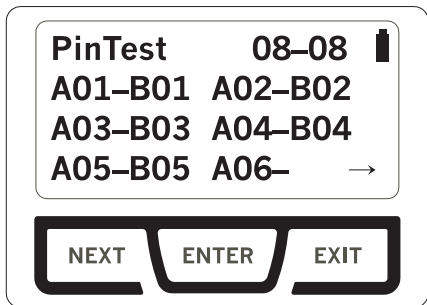


figure 4

b. Open (refer figure 5)

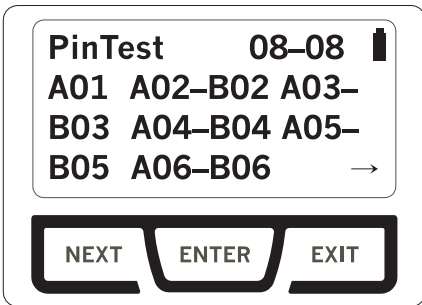


figure 5

c. Short (refer figure 6)

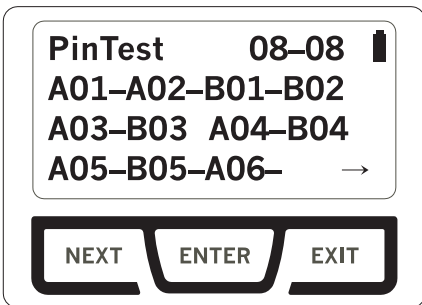


figure 6

d. Reversed (refer figure 7)

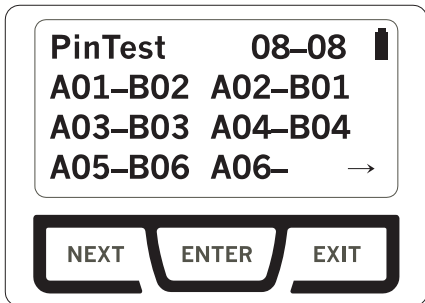


figure 7

e. Cross/Mis-wires (refer figure 8)

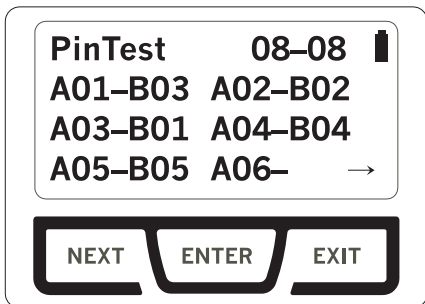


figure 8

5. PinOut

A. Standard-defined set up

To set up a standard-define for Quick Test; press ENTER on the PinOut function. Standard-defined is finish after device displays Defined. A “check” icon next to the PinOut menu indicates the Standard-define have been set.

B. Clear Standard-defined

To clear standard-define for Quick Test, press ENTER on the PinOut function. Clearing standard-defined is completed after device displays Clear. A “cross” icon next to the PinOut menu indicates the Standard-define have been cleared.

6. QuickTest

After defined is set, ENTER the QuickTest function to view the quick test results. Device displays Pass if the test result matches the standard defined, device displays Fail if the test result does not match the standard defined. To view the QuickTest detail, turn on the TestDetail function from the Settings menu. An arrow icon displays on the bottom right of the LCD if the TestDetail function is on. Press NEXT button to view the test detail.

7. Settings

A. Buzzer

To turn the device buzzer on/off, enter the Buzzer function in the Settings menu. A “check” icon next to the buzzer menu indicates the buzzer is “on”. A “cross” icon next to the buzzer menu indicates the buzzer is “off”.

B. TestDetail

To view the test detail from QuickTest function, turn on the TestDetail function in Settings menu. A “check” icon next to the TestDetail menu indicates the TestDetail is “on”. A “cross” icon next to the TestDetail menu indicates the TestDetail is “off”.

8. About

Press Enter in the About menu to view the firmware version of device.

Warranty

The device is guaranteed for two years after completing the registration procedure from the date of original sale in Hobbes Group web site.

The manufacturer will repair the device free of charge if manufacturer determines the product failed due to manufacture defect. This warranty is only valid if the device is used for its intended purposes only.

Manufacturers warranty is voided if the product has been tampered and damaged from misused.

Hobbes®
I N N O V A T I O N